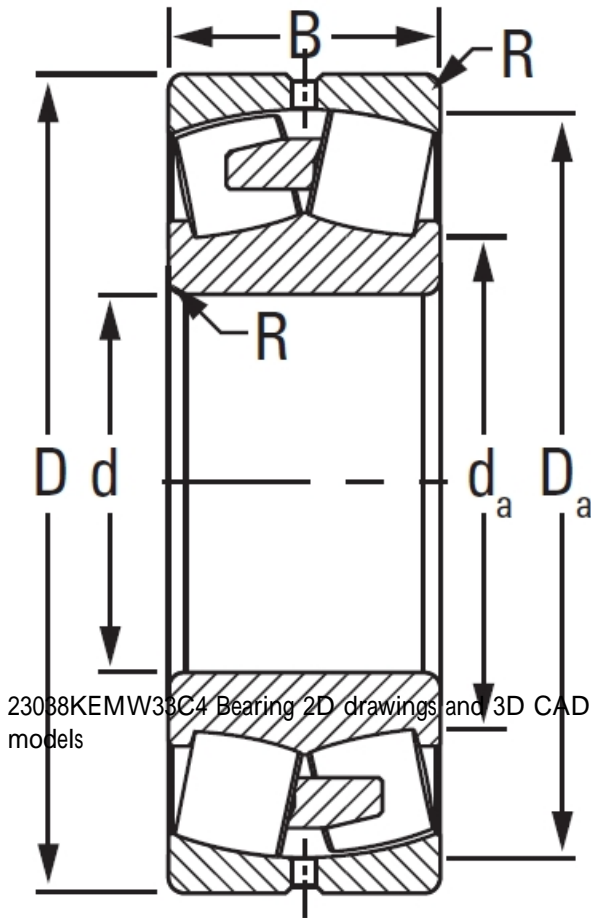




Ligao Mechanical Bearing Co., Ltd

23038KEMW33C4 TIMKEN Full Complement Cylindrical Roller Radial Bearings

Bearing No. 23038KEMW33C4



Design Unit	METRIC
Bore Taper	1/12
Bearing Weight	17.8 Kg
Cage Type	EM
Cage Material	Brass
Superseded Part	23038KYMW33C4
d	190.000 mm
D	290.000 mm
B - Inner Ring Width	75 mm
B - Outer Ring Width	75 mm
R - Inner Ring To Clear Radius ¹	2.0 mm
r - Outer Ring To Clear Radius ²	2.0 mm
da - Inner Ring Backing Diameter	214.000 mm
Da - Outer Ring Backing Diameter	270.000 mm
C0 - Static Radial Rating	1580000 N
C1(2) - Dynamic Radial Rating (Two-Rows)	1060000 N
e - ISO Factor ³	0.23
Y0 - ISO Factor ⁴	3
Y1 - ISO Factor ⁵	4.47
Y2 - ISO Factor ⁶	2.93
Reference Thermal Speed Rating (Grease)	1600



Ligao Mechanical Bearing Co., Ltd

Reference Thermal Speed Rating (Oil) ⁷	1900
Cg - Geometry Factor ⁸	0.1001