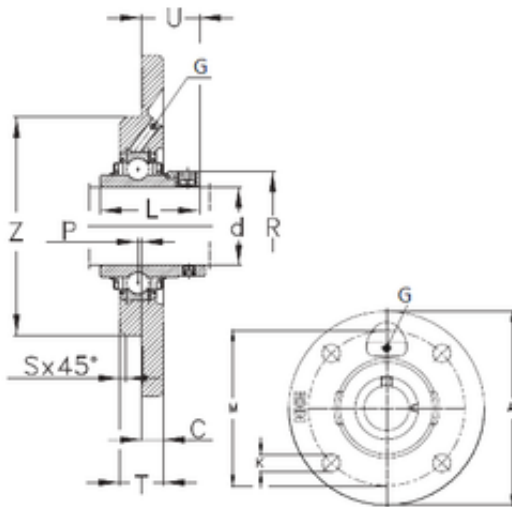




# Ligao Mechanical Bearing Co., Ltd



## NKE RME60-N bearing units

Bearing No. RME60-N

|               |         |
|---------------|---------|
| Bore Diameter | 60 mm   |
| d             | 60 mm   |
| P             | 1 mm    |
| U             | 45,8 mm |
| K             | 18 mm   |
| Z             | 135 mm  |
| A             | 195 mm  |
| C             | 16 mm   |
| L             | 77,8 mm |
| M             | 160 mm  |
| R             | 84 mm   |
| S             | 3 mm    |
| T             | 29 mm   |
| Thread (G)    | R1/8 "  |

RME60-N Bearing 2D drawings and 3D CAD models