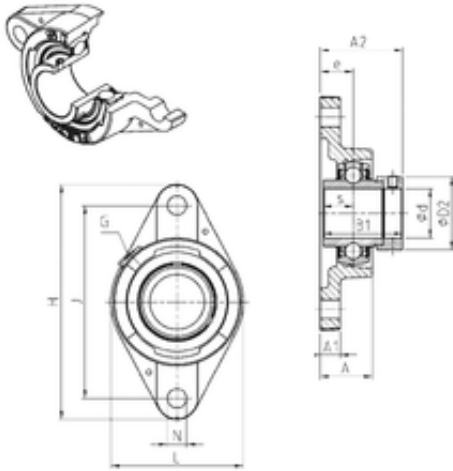




Ligao Mechanical Bearing Co., Ltd



SNR EXFLE204 bearing units

Bearing No. EXFLE204

Bore Diameter	20 mm
d	20 mm
e	19 mm
s	17 mm
A	30,3 mm
A1	10 mm
B1	43,5 mm
D2	33,3 mm
H	112 mm
J	90 mm
L	61 mm
N	11,5 mm
Thread (G)	R1/8"
A2	45,5 mm
Weight	0,5 Kg
Basic dynamic load rating (C)	12,8 kN

EXFLE204 Bearing 2D drawings and 3D CAD models