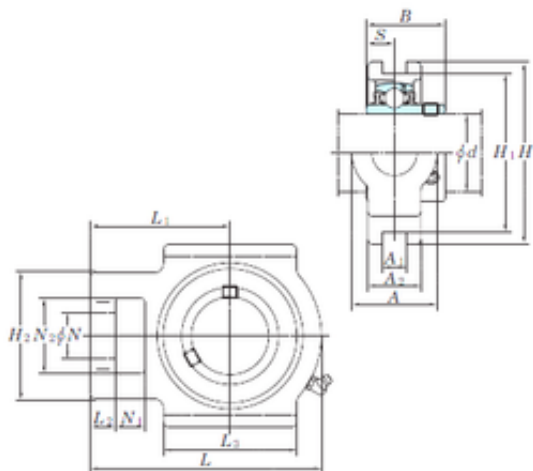




Ligao Mechanical Bearing Co., Ltd



KOYO UCTX11-36E bearing units

Bearing No. UCTX11-36E

| | |
|-------------------------------|-----------|
| Bore Diameter | 57,15 mm |
| d | 57,15 mm |
| L2 | 19 mm |
| L3 | 102 mm |
| A | 64 mm |
| A1 | 27 mm |
| B | 65,1 mm |
| H | 146 mm |
| H1 | 130,17 mm |
| H2 | 102 mm |
| L | 194 mm |
| L1 | 119 mm |
| N | 35 mm |
| N1 | 32 mm |
| S | 25,4 mm |
| A2 | 44 mm |
| N2 | 64 mm |
| Weight | 5,3 Kg |
| Basic dynamic load rating (C) | 52,4 kN |
| Basic static load rating (C0) | 36,2 kN |

UCTX11-36E Bearing 2D drawings and 3D CAD models